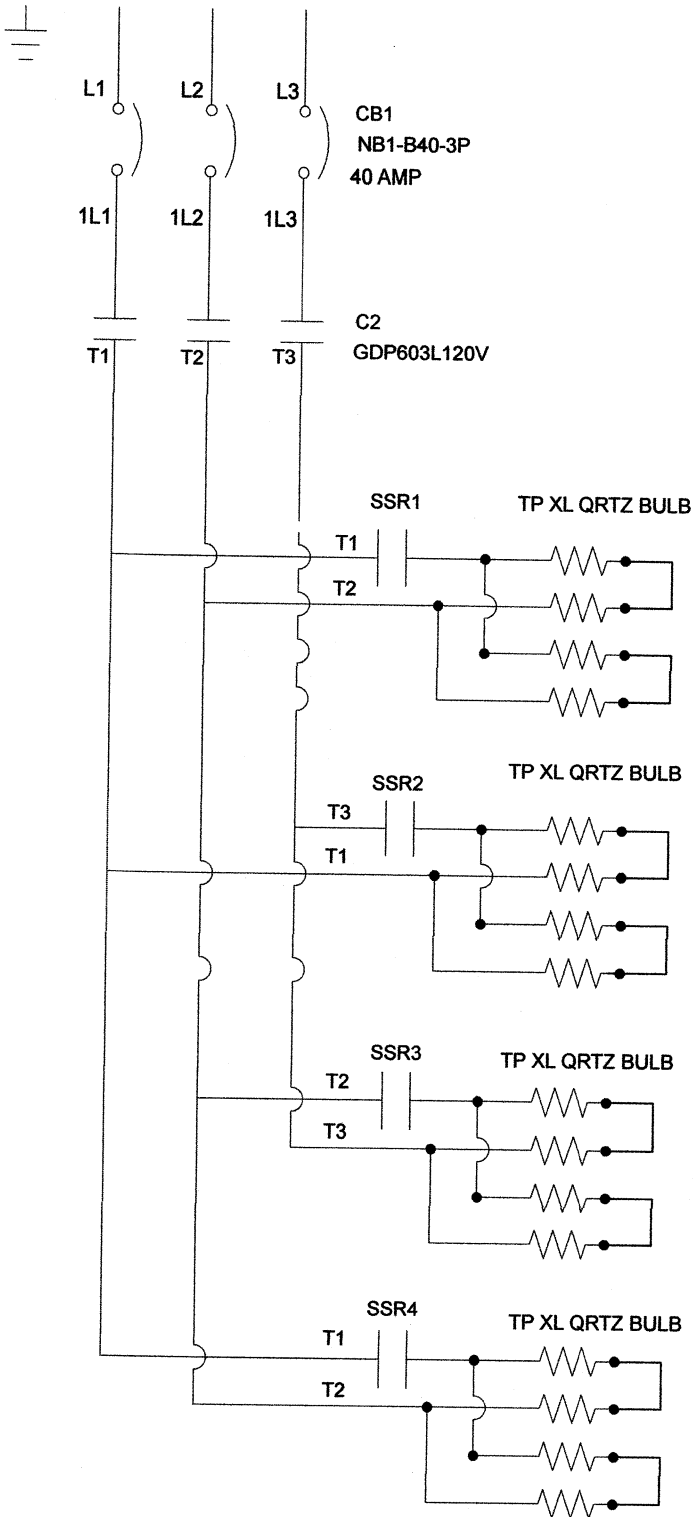


AC ELECTRIC SCHEMATIC

480 VAC 3 PHASE 30 AMP

TAG PRO XL 4 COLOR 4 FLASH



TP XL QRTZ BULB = 400mm 230 VAC 1000 WATT
 SOLID STATE RELAY = 3-32 VDC 40 AMP SSR08-40480AS

120 VAC 20 AMP

