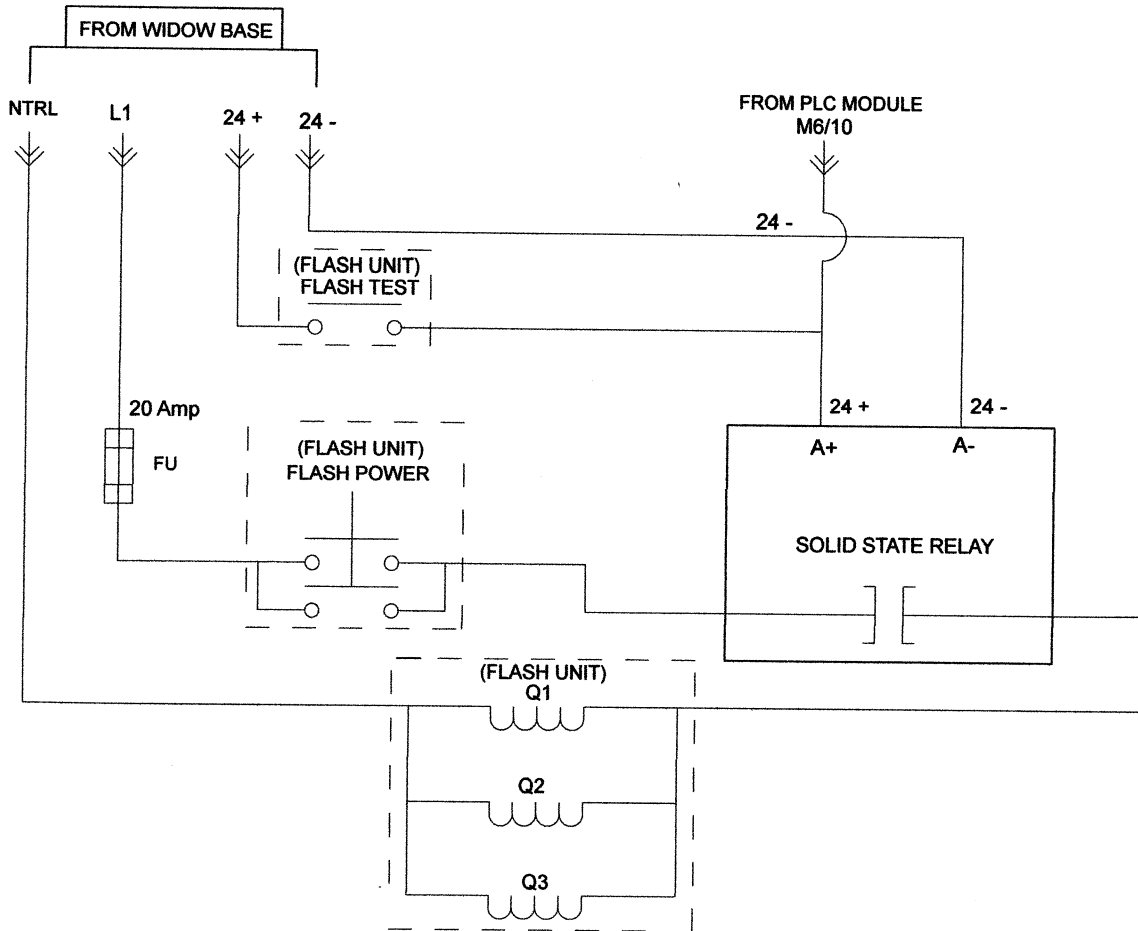


**SENSOR INFORMATION:**  
 SENSOR PNP RN04-P RIKO  
 SAFETY SENSOR PK3-DU30P RIKO  
 HOME SENSOR BES M08MH1-PSC15B-S04G BALLUF

**WIDOW 6 STATION 2 COLOR 2 FLASH**  
 120 VAC 8 AMP  
 FLASH 120 VAC 20 AMP EACH  
 JUNE 2013



**WIRES TO FLASH FROM BASE**

16 AWG = 1 WHITE  
 3 BLACK  
 18 AWG = 1- 2 WIRE CABLE

**QUARTZ FLASH UNIT / WIDOW**  
 NOV 2012

**AC INVERTER PARAMETER SETTINGS**  
 PRESS MODE USE ARROW KEYS TO =225 , THEN PRESS MODE DISPLAY SHOULD READ P01  
 USE ARROW KEY TO MOVE TO P44 PRESS MODE CHANGE VALUE TO 000 PRESS MODE  
 PASSCODE HAS BEEN DEACTIVATED ENTER VALUES BELOW

- |          |          |
|----------|----------|
| P1 =01   | P28 =5.3 |
| P2 =02   | P29 =0.0 |
| P3 =01   | P30 =0.0 |
| P4 =03   | P31 =60  |
| P5 =01   | P32 =0.0 |
| P6 =01   | P33 =60  |
| P10 =00  | P34 =0.0 |
| P11 =01  | P35 =0.0 |
| P12 =04  | P36 =0.0 |
| P14 =01  | P37 =0.0 |
| P16 =02  | P38 =0.0 |
| P17 =02  | P39 =0.0 |
| P19 =.2  | P42 =20  |
| P20 =.2  | P44 =00  |
| P21 =0.0 | P45 =0.0 |
| P22 =0.0 | P46 =60  |
| P23 =60  | P47 =01  |
| P24 =60  | P48 =01  |
| P25 =180 |          |
| P26 =100 |          |
| P27 =60  |          |

**AC MOTOR CONNECTIONS**

- U2 = T4-T5-T6
- U1 = T1-T7-L1
- V1 = T2-T8-L2
- W1 = T3-T9-L3

**PLC MODULE SWITCH SETTINGS**  
 SW1

